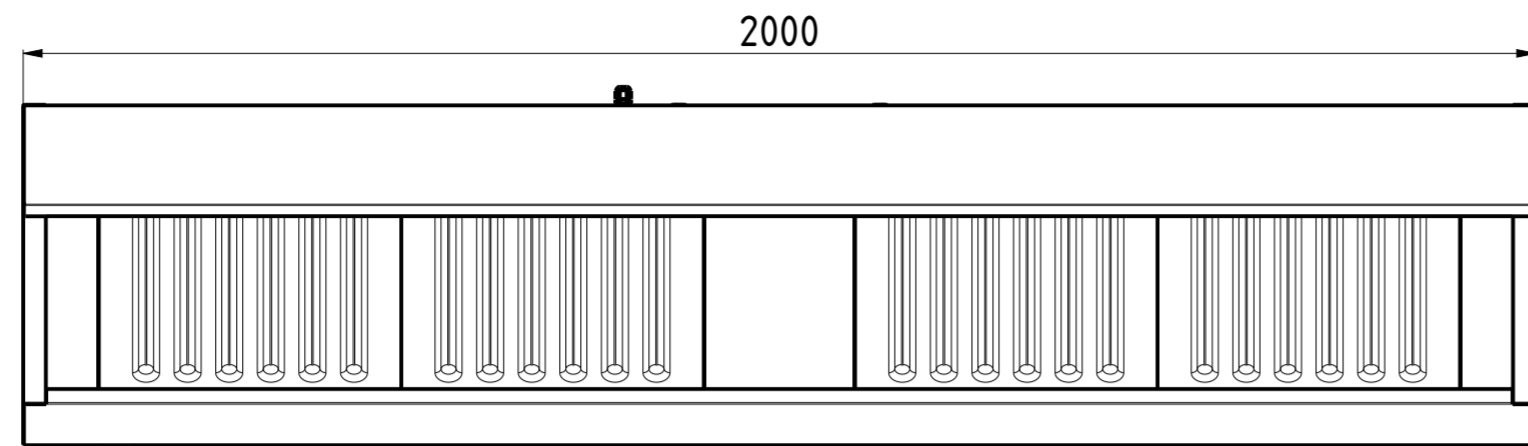
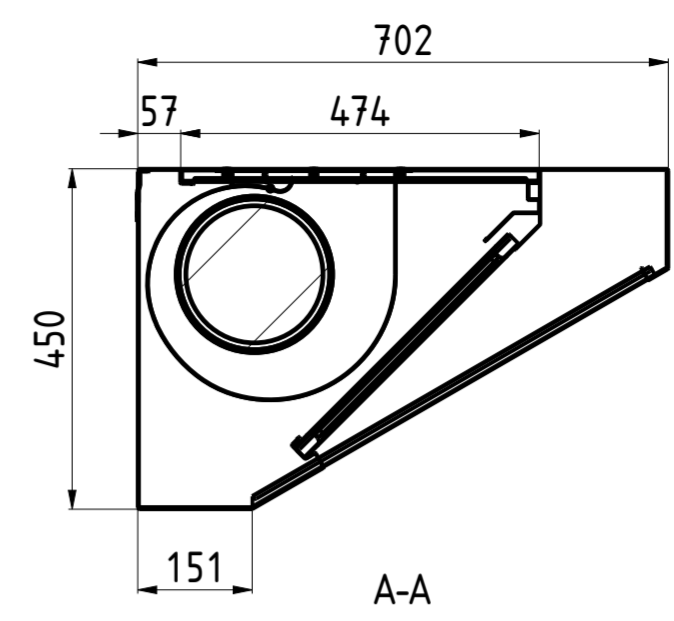


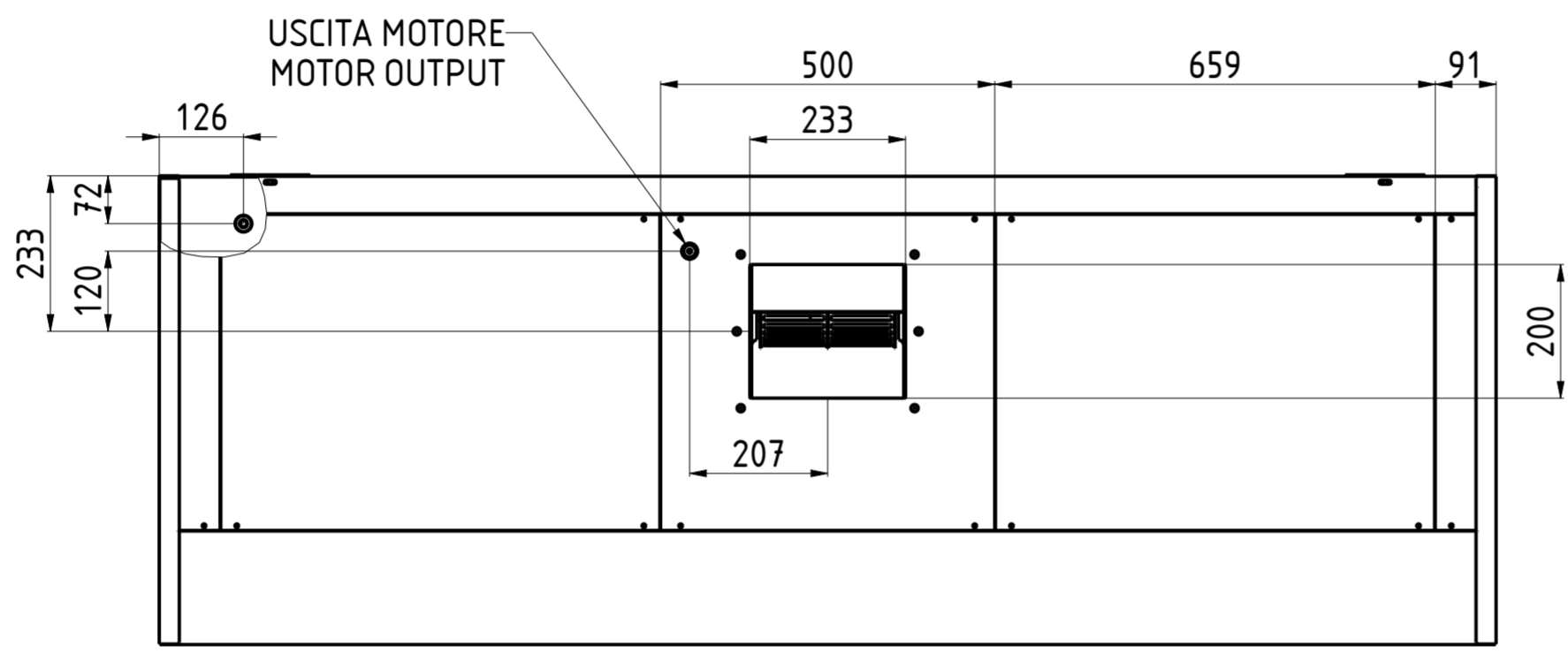
CHCSK0720M



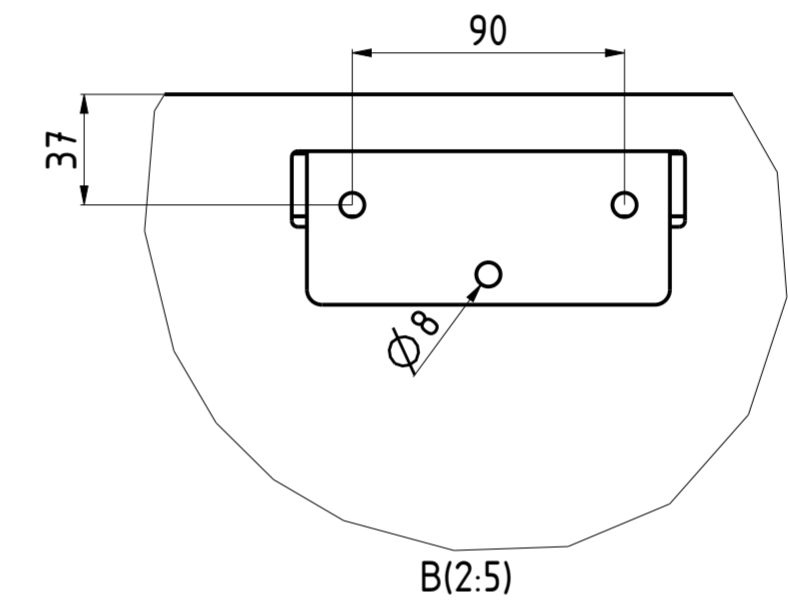
FRONT VIEW 1:10



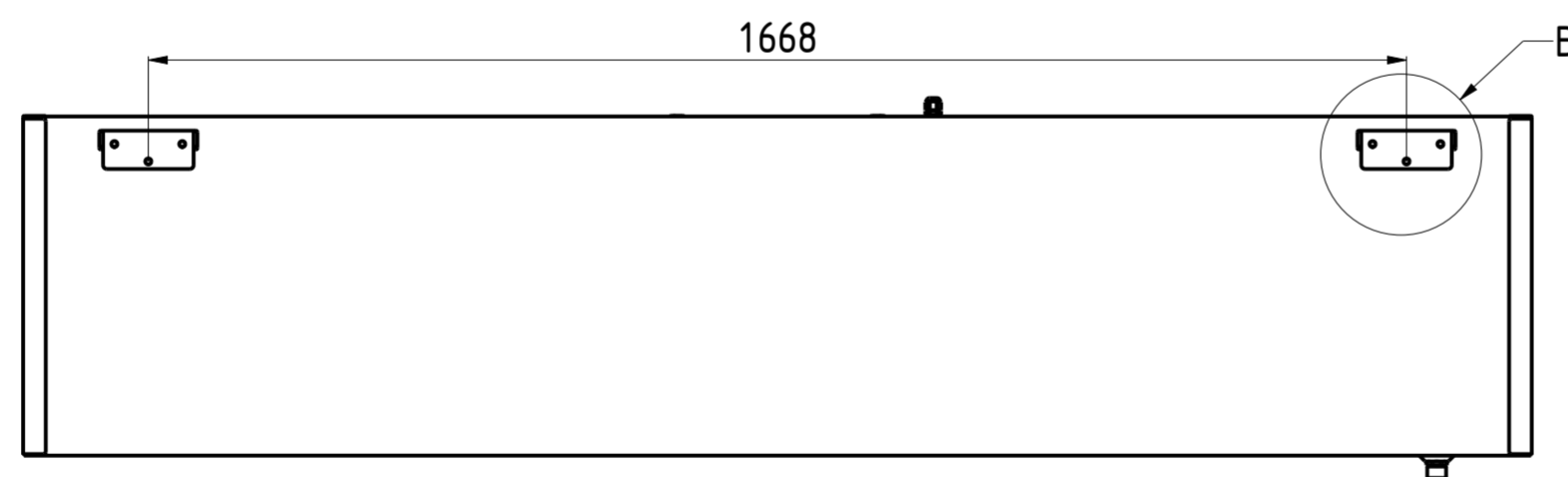
A-A



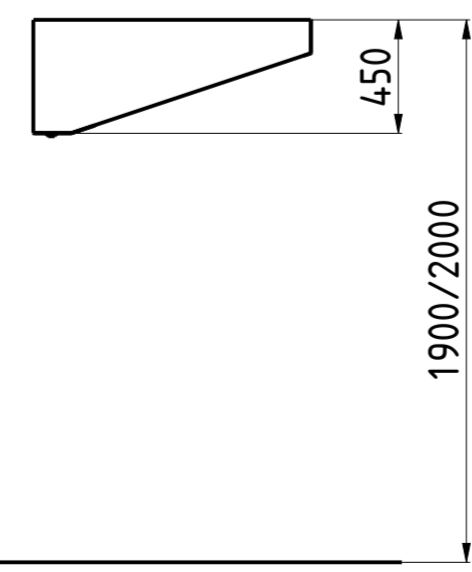
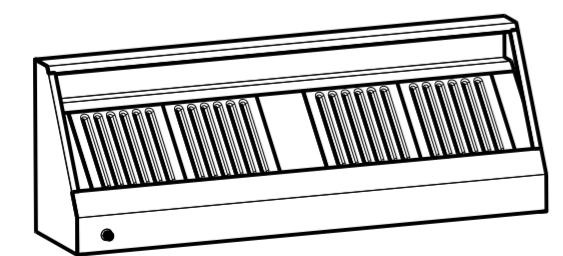
B-B



B(2:5)



BACK VIEW 1:10



NR. LUCI NR. LIGHTS	PORTATA FLOW RATE	HST mmH ₂ O	WATT	SDR	PESO (Kg) WEIGHT (Kg)
—	1800	34	147	7/7	81

DATA DATE	MODIF. N. MODIF. NO.	DESCRIZIONE MODIFICHE MODIFICATION DESCRIPTION	DISegnATO DRAWN BY	APPROVATO APPROVED
MODELLO CAPPINA SNACK CON MOTORE 7/20 MODEL SNACK HOOD WITH MOTOR 7/20		DISEGNO N. DRAWING NO. CHCSK0720M		SCALA SCALE -
PARTICOLARE SCHEDA TECNICA DETAIL DATA SHEET		DISEGNATO DRAWN BY		DATA DATE -
MATERIALE MATERIAL AISI 304 - AISI 430	SPESSEZZA THICK. -	APPROVATO APPROVED	SHEET 2 OF 5	
FINITURA FINISH	PEZZI N. PIECES NO.	SOSTITUISCE IL DIS. N. IT REPLACES DRAWING NO.		ULTIMA EMISS. LAST EDITION
TRATTAMENTO TREATMENT	COLORE COLOUR	SOSTITUITO DAL DIS. N. REPLACED BY DRAWING NO.		

CHEF Line

mm

FORM.A-2

ELABORATO CON SISTEMA CAD
 DESIGNED BY CAD/STEM
 QUOTA PRIMARIA
 PRIMARY DIMENSION
 XX
 ANGOLI
 Angles
 ±0.30°
 TOLLERANCE UNLESS OTHERWISE STATED
 QUOTE SENZA TOLLERANZA
 TOLERANCE UNLESS OTHERWISE STATED
 >500 ±0.75
 400-500 ±0.65
 315-400 ±0.60
 250-315 ±0.55
 180-250 ±0.50
 120-180 ±0.45
 80-120 ±0.40
 50-80 ±0.35
 30-50 ±0.30
 18-30 ±0.25
 10-18 ±0.20
 5-10 ±0.15
 0-5 ±0.10
 LUNGHEZZE E DIAMETRI
 LENGTH AND DIAM.
 ±0.10